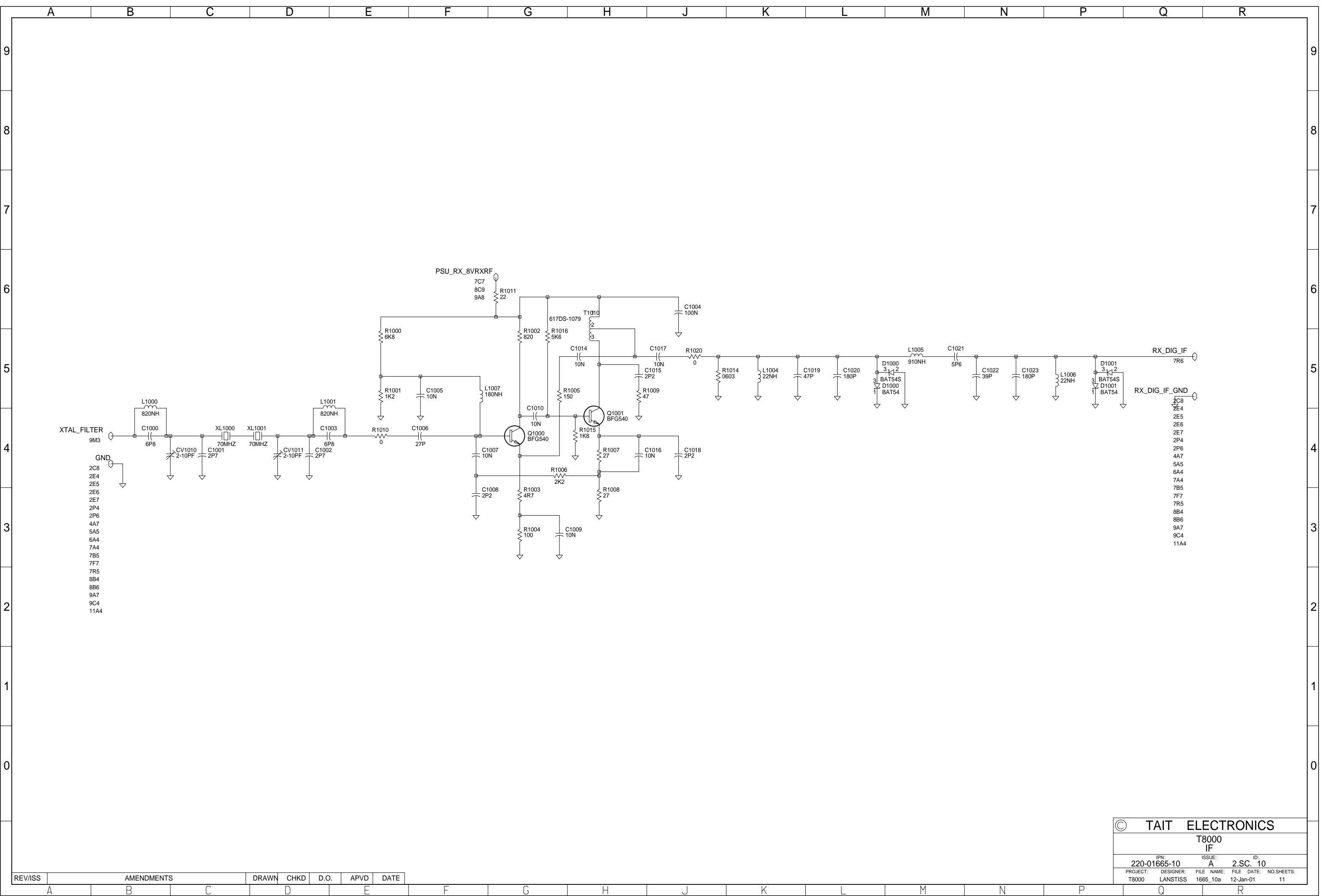


10A	TIDIED UP LAYOUT, VALUE CHANGES	BEN C				12-01-01
09A	ORIGINAL	BEN C				24/10/00
REV/ISS	AMENDMENTS	DRAWN	CHKD	D.O.	APVD	DATE

© TAIT ELECTRONICS					
T8000 RECITER PCB					
IPN:	220-01665-10	ISSUE:	A	ID:	2.SC. 1
PROJECT:	T8000	DESIGNER:	LANSTISS	FILE NAME:	1665_10a
		FILE DATE:	12-Jan-01	NO.SHEETS:	11



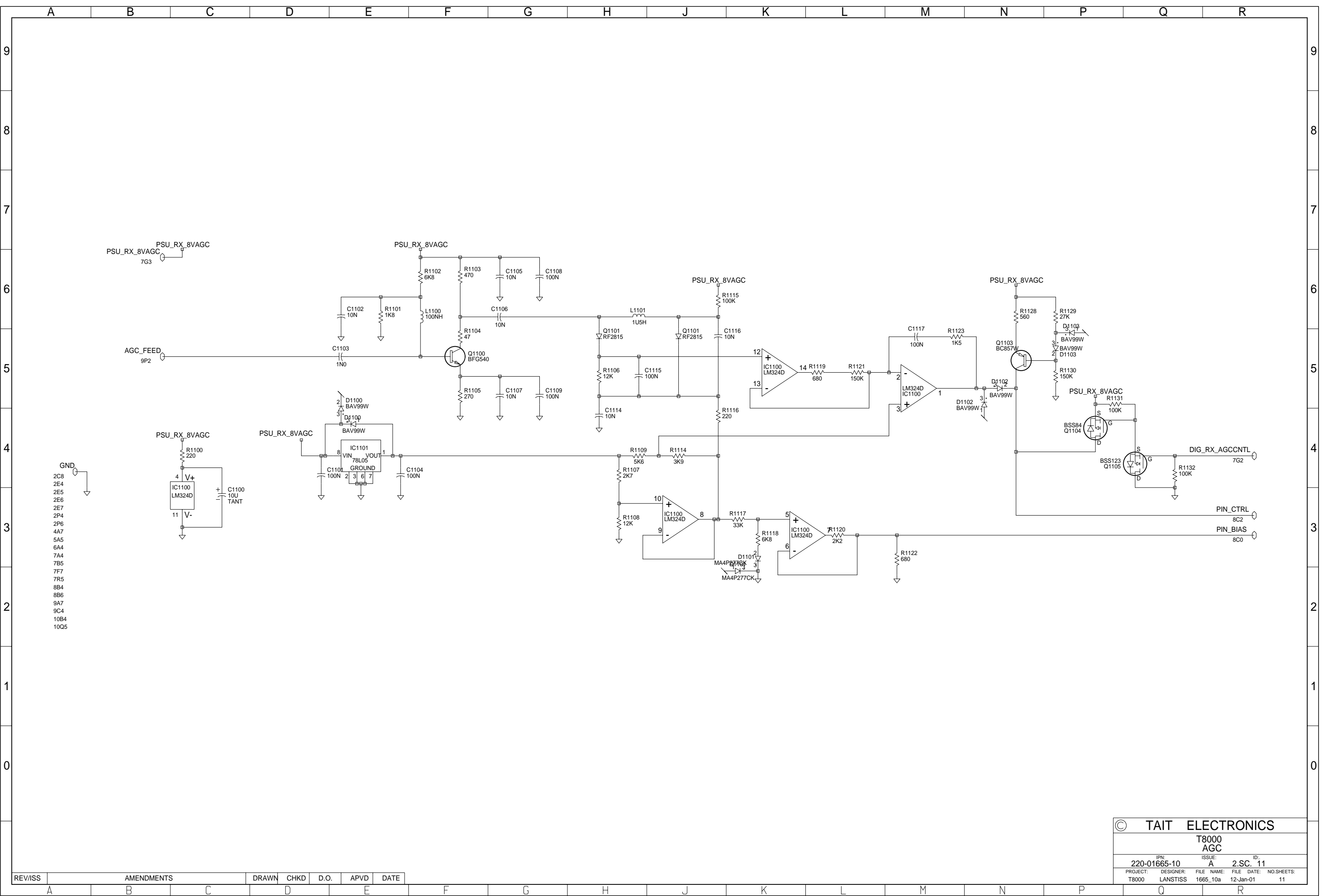
- 2C8
- 2E4
- 2E5
- 2E6
- 2E7
- 2P4
- 2P6
- 4A7
- 5A5
- 6A4
- 7A4
- 7B5
- 7F7
- 7R5
- 8B4
- 8B6
- 9A7
- 9C4
- 11A4

© TAIT ELECTRONICS

T8000
IF

IPN:	ISSUE:	ID:
220-01665-10	A	2.SC. 10
PROJECT:	DESIGNER:	FILE NAME:
T8000	LANSTISS	1665_10a
FILE DATE:	NO.SHEETS:	
12-Jan-01	11	

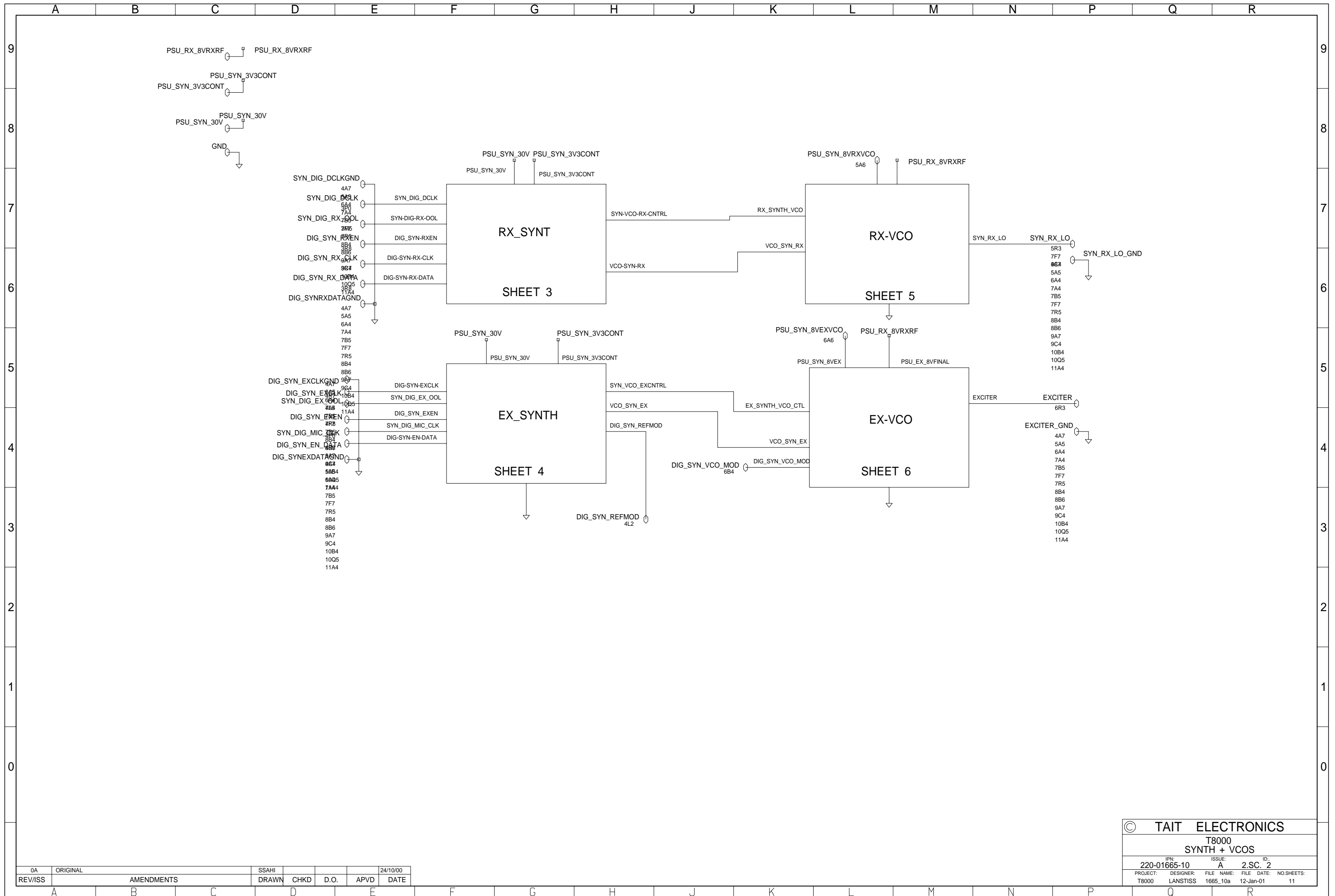
REV/ISS	AMENDMENTS	DRAWN	CHKD	D.O.	APVD	DATE
A						



- 2C8
- 2E4
- 2E5
- 2E6
- 2E7
- 2P4
- 2P6
- 4A7
- 5A5
- 6A4
- 7A4
- 7B5
- 7F7
- 7R5
- 8B4
- 8B6
- 9A7
- 9C4
- 10B4
- 10Q5

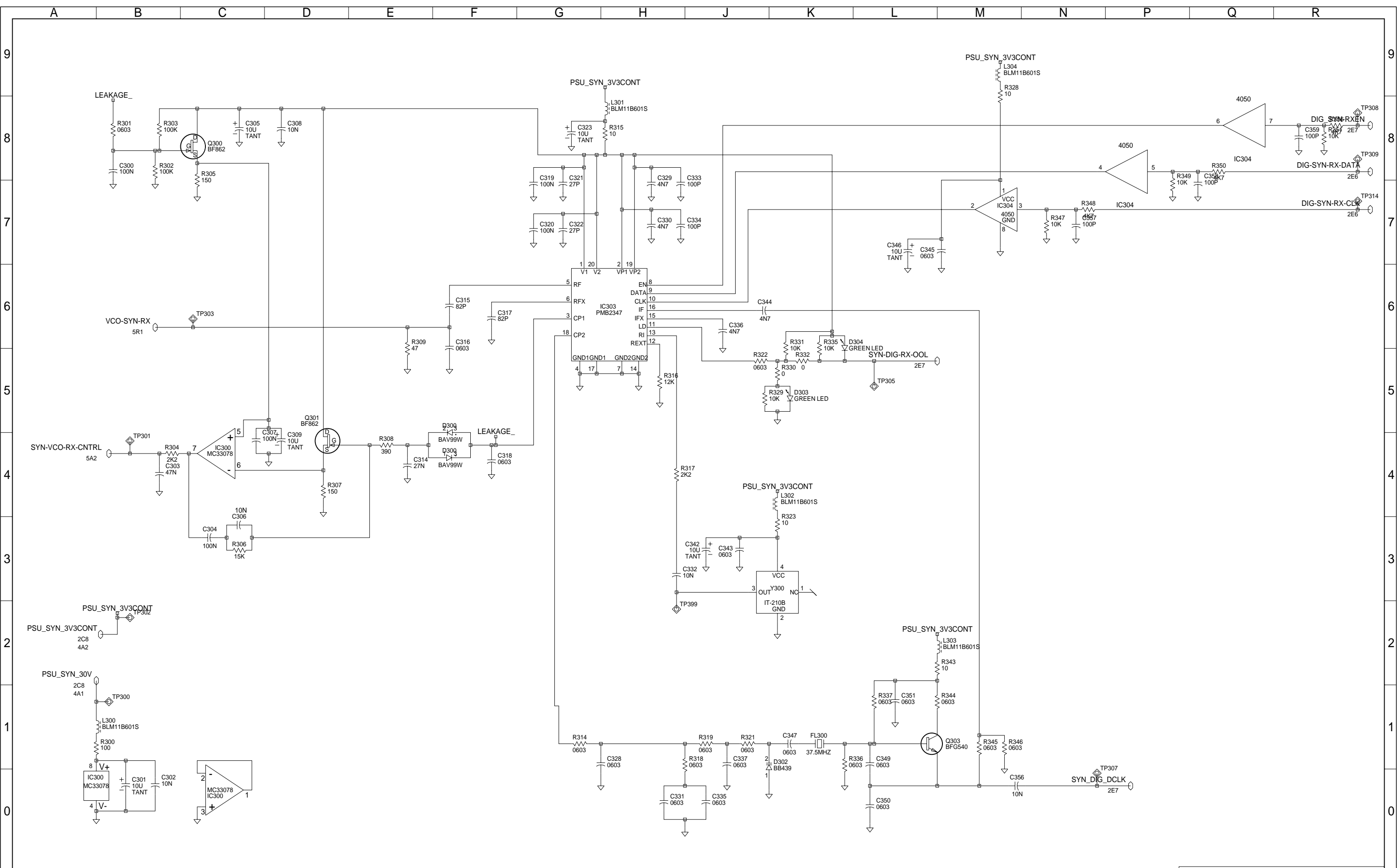
© TAIT ELECTRONICS			
T8000 AGC			
IPN:	ISSUE:	ID:	
220-01665-10	A	2.SC. 11	
PROJECT:	DESIGNER:	FILE NAME:	FILE DATE:
T8000	LANSTISS	1665_10a	12-Jan-01
NO. SHEETS:		11	

REV/ISS	AMENDMENTS	DRAWN	CHKD	D.O.	APVD	DATE
A						



0A	ORIGINAL	SSAHI			24/10/00
REV/ISS	AMENDMENTS	DRAWN	CHKD	D.O.	APVD DATE

© TAIT ELECTRONICS					
T8000					
SYNTH + VCOS					
IPN:	220-01665-10	ISSUE:	A	ID:	2.SC. 2
PROJECT:	T8000	DESIGNER:	LANSTISS	FILE NAME:	1665_10a
		FILE DATE:	12-Jan-01	NO.SHEETS:	11

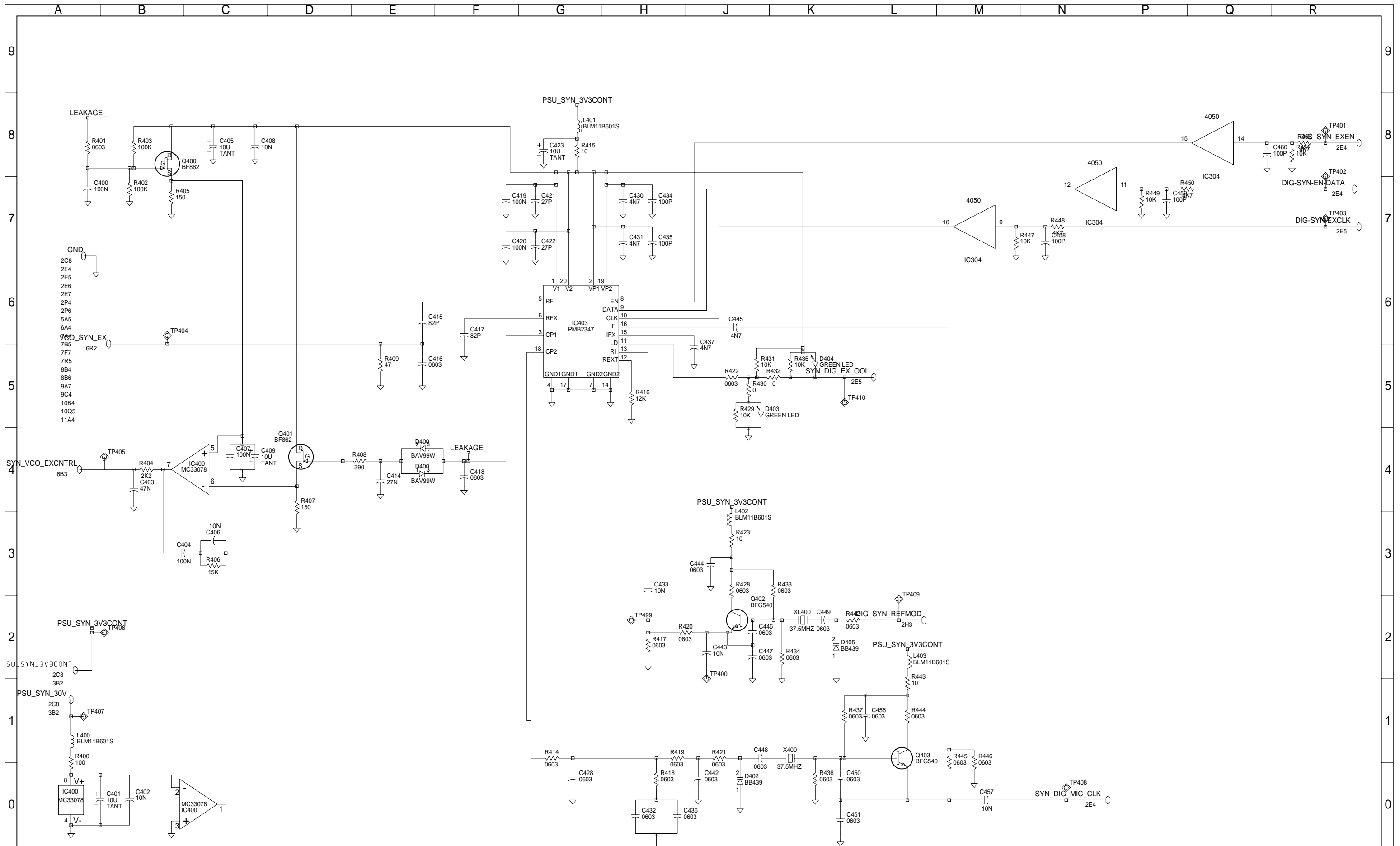


© TAIT ELECTRONICS

T8000
RECEIVER SYNTH

IPN: 220-01665-10	ISSUE: A	ID: 2.S.C. 3
PROJECT: T8000	DESIGNER: LANSTISS	FILE NAME: 1665_10a
FILE DATE: 12-Jan-01	NO. SHEETS: 11	

REV/ISS	AMENDMENTS	DRAWN	CHKD	D.O.	APVD	DATE

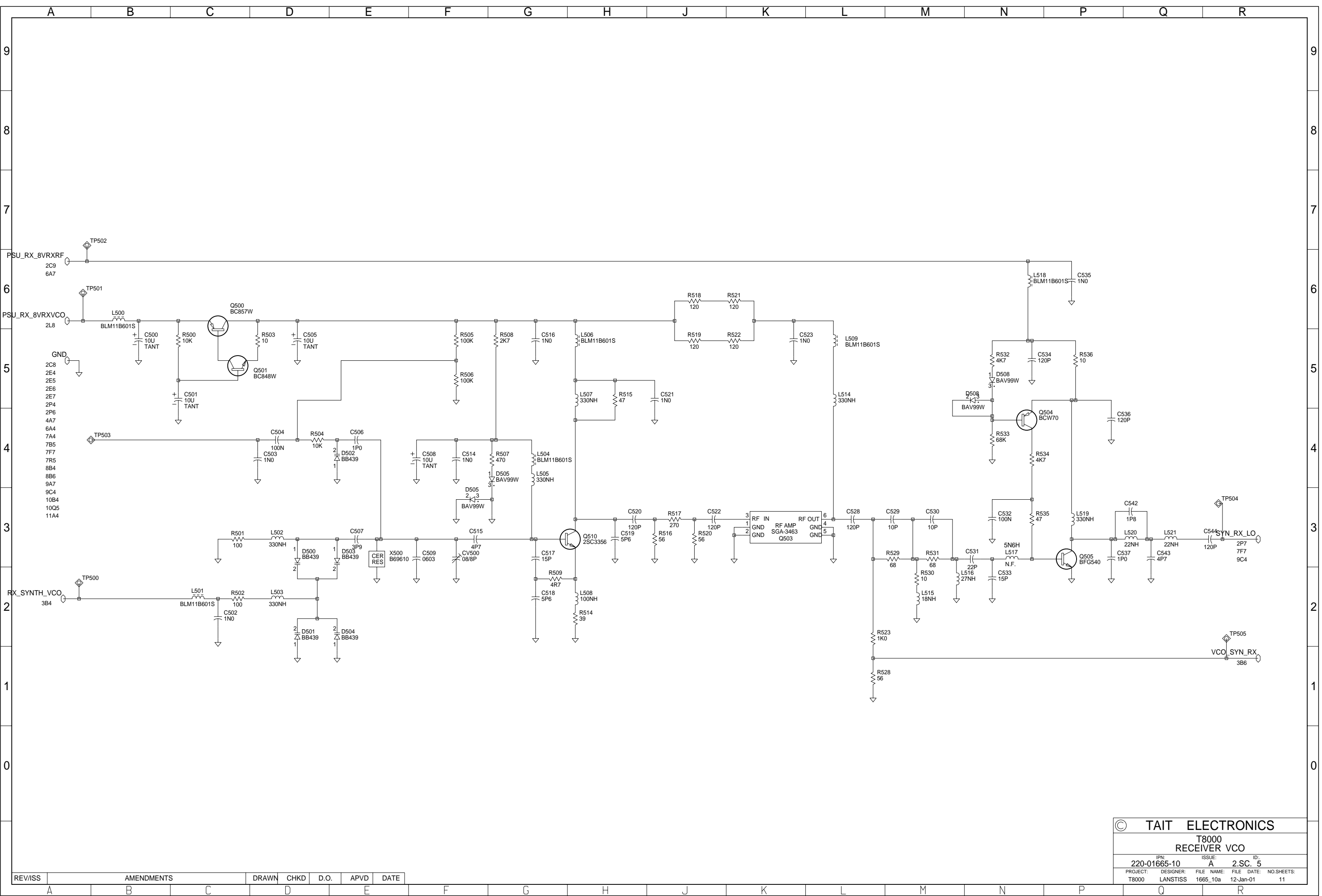


© TAIT ELECTRONICS

T8000
EXCITER SYNTH

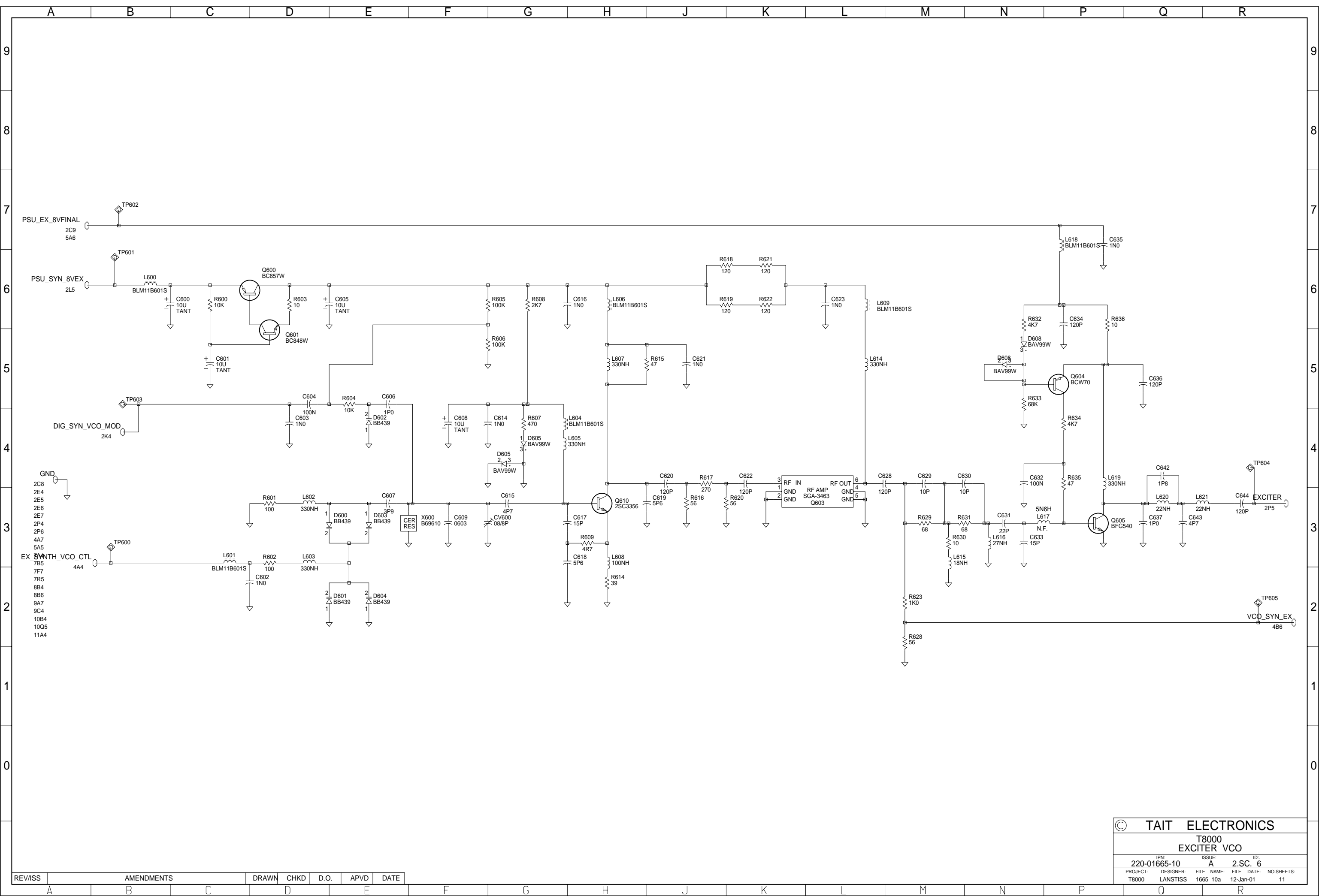
IPN: 220-01665-10	ISSUE: A	ID: 2.S.C. 4
PROJECT: T8000	DESIGNER: LANSTISS	FILE NAME: 1665_10a
FILE DATE: 12-Jan-01	NO. SHEETS: 11	

REV/ISS	AMENDMENTS	DRAWN	CHKD	D.O.	APVD	DATE
A						



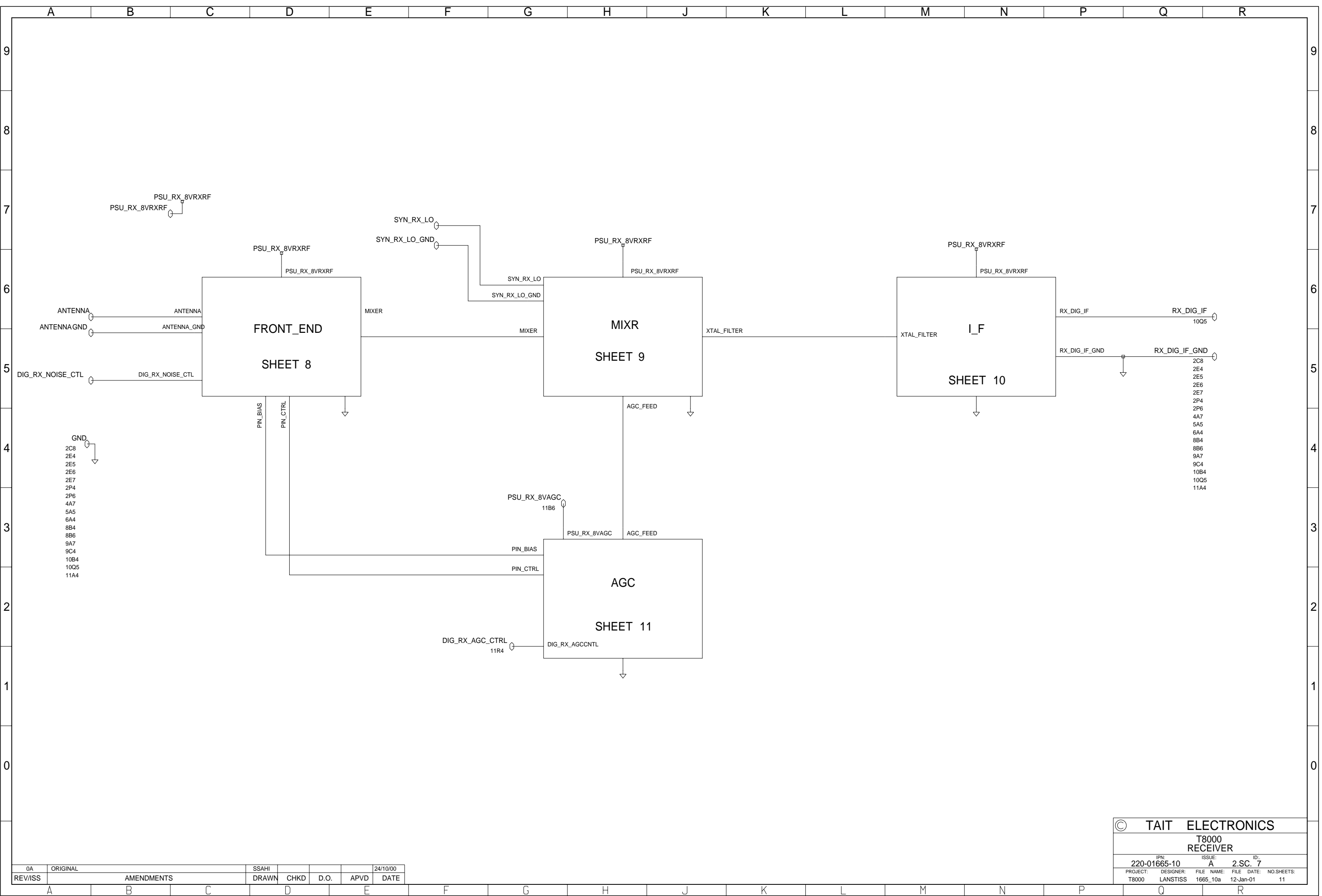
TAIT ELECTRONICS			
T8000 RECEIVER VCO			
IPN: 220-01665-10	ISSUE: A	ID: 2.S.C. 5	
PROJECT: T8000	DESIGNER: LANSTISS	FILE NAME: 1665_10a	FILE DATE: 12-Jan-01
			NO. SHEETS: 11

REV/ISS	AMENDMENTS	DRAWN	CHKD	D.O.	APVD	DATE
A						



TAIT ELECTRONICS			
T8000 EXCITER VCO			
IPN: 220-01665-10	ISSUE: A	ID: 2.SC. 6	
PROJECT: T8000	DESIGNER: LANSTISS	FILE NAME: 1665_10a	FILE DATE: 12-Jan-01
			NO. SHEETS: 11

REV/ISS	AMENDMENTS	DRAWN	CHKD	D.O.	APVD	DATE
A						

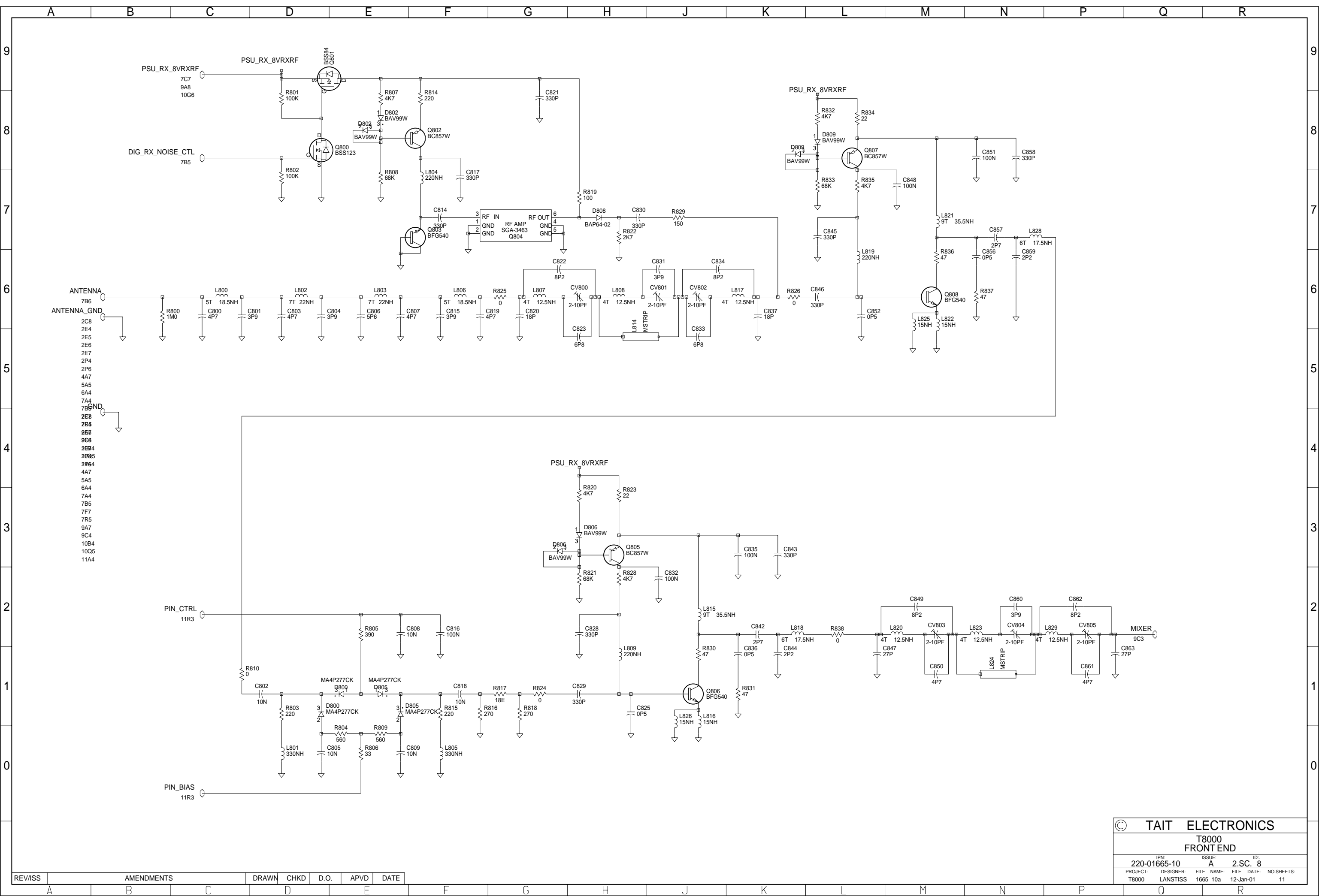


0A	ORIGINAL	SSAHI				24/10/00
REV/ISS	AMENDMENTS	DRAWN	CHKD	D.O.	APVD	DATE

© TAIT ELECTRONICS

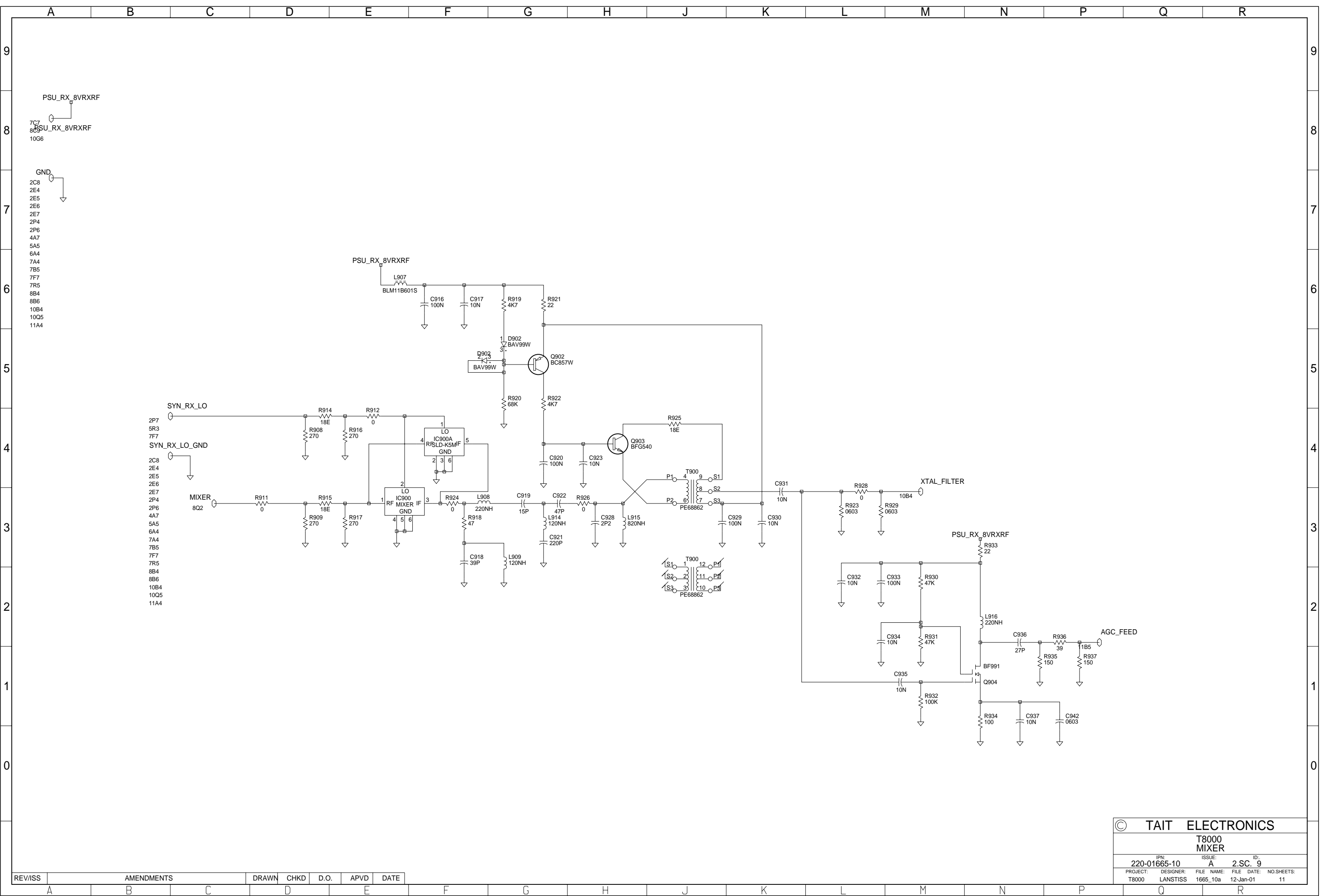
T8000 RECEIVER

IPN: 220-01665-10	ISSUE: A	ID: 2.SC. 7
PROJECT: T8000	DESIGNER: LANSTISS	FILE NAME: 1665_10a
FILE DATE: 12-Jan-01	NO. SHEETS: 11	



© TAIT ELECTRONICS
 T8000
 FRONT END
 IPN: 220-01665-10
 ISSUE: A
 ID: 2.SC. 8
 PROJECT: T8000
 DESIGNER: LANSTISS
 FILE NAME: 1665_10a
 FILE DATE: 12-Jan-01
 NO. SHEETS: 11

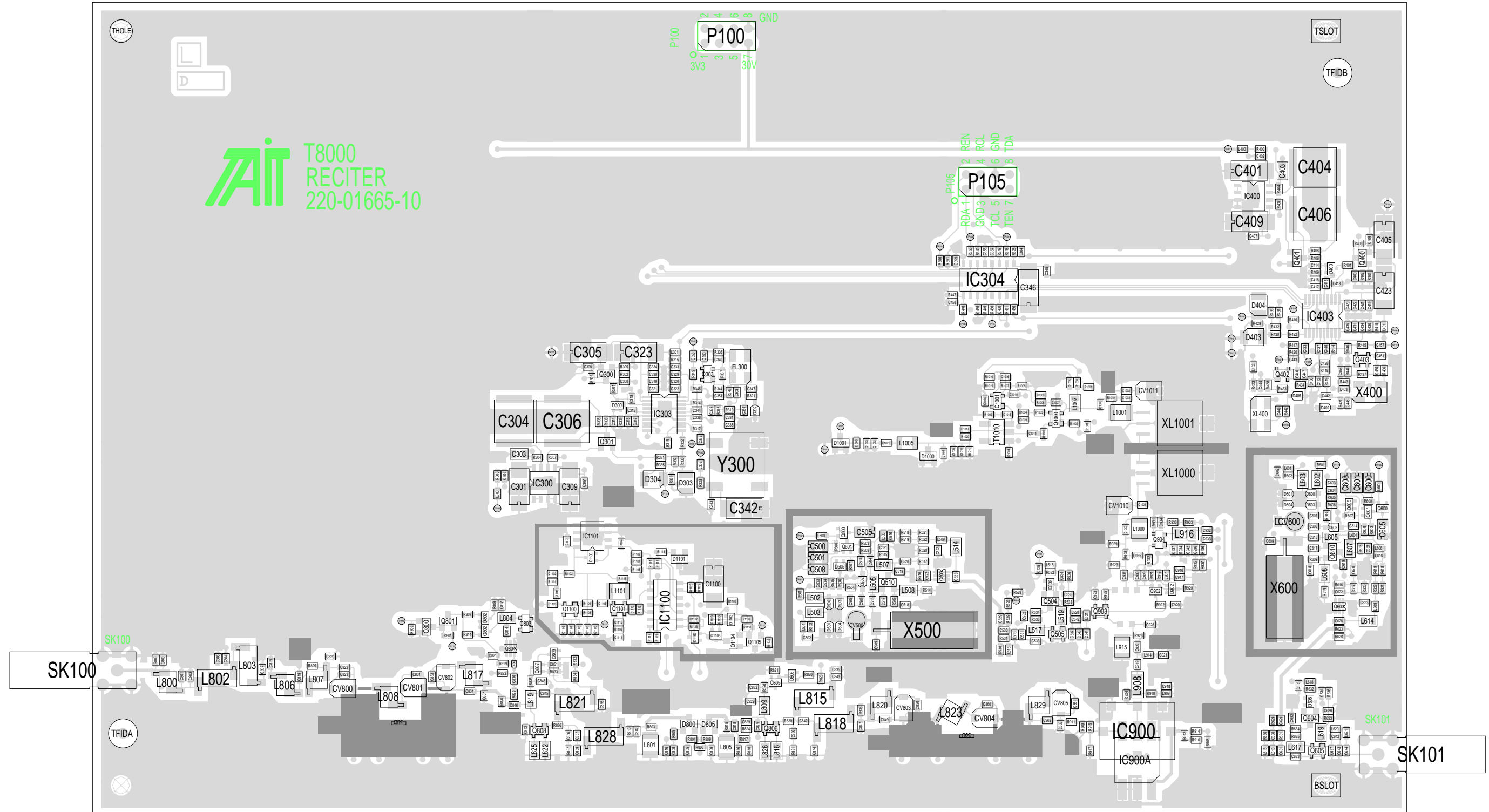
REV/ISS	AMENDMENTS	DRAWN	CHKD	D.O.	APVD	DATE
A						



© TAIT ELECTRONICS			
T8000 MIXER			
IPN: 220-01665-10	ISSUE: A	ID: 2.SC. 9	
PROJECT: T8000	DESIGNER: LANSTISS	FILE NAME: 1665_10a	FILE DATE: 12-Jan-01
		NO. SHEETS: 11	

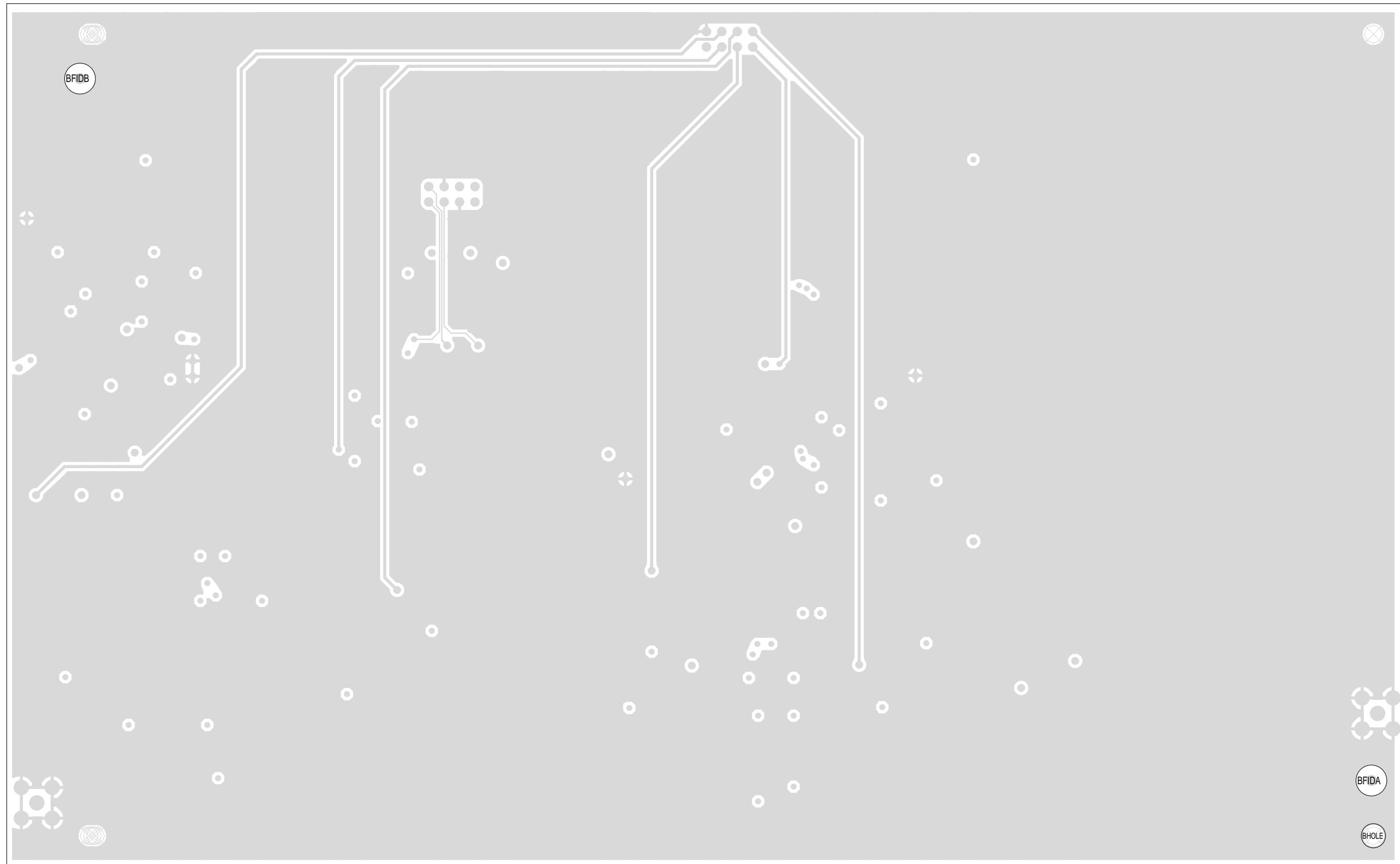
REV/ISS	AMENDMENTS	DRAWN	CHKD	D.O.	APVD	DATE
A						

AIT T8000
RECITER
220-01665-10



TAIT ELECTRONICS	IPN: 220-01665-10	ISS: A	ID: 1.TA	DATE: 16 Jan 2001
RECITER PCB LAYOUT - TOP SIDE				

Scale: 1.4:1 ; Rotation: 0 degrees



TAIT ELECTRONICS	IPN:	ISS:	ID:	DATE:
	220-01665-10	A	4.BA	16 Jan 2001
RECITER PCB LAYOUT - BOTTOM SIDE				

Scale: 1.4:1 ; Rotation: 0 degrees